

amicomo10-1 Ladies' Cotton Soft Vest



Suggested yarn:

- Mondial Cotton Soft Speciale Baby Solid [100% cotton; 197 yds/180m per 1.76 oz./50g skein];
 - color #059 pansy, 1 skein [45g]
 - color #325 royal purple, 2 skeins [100g]
 - color #822 cocoa, 2 skeins [70g]

Tools/Notions:

- 3.0mm (approx. US C or D) crochet hook or size necessary to achieve gauge

Finished measurements:

- bust 96cm/37.80"
- cross back width 38cm/14.96"
- length 43cm/16.93"

Gauge (10cm/4" square):

- pattern stitch (stripes): 27 sts and 12 rows

Gauge may vary according to individual crochet style. Change hook size if necessary to achieve gauge. Alternatively, rework pattern with your own gauge measurements.

Crochet Tips

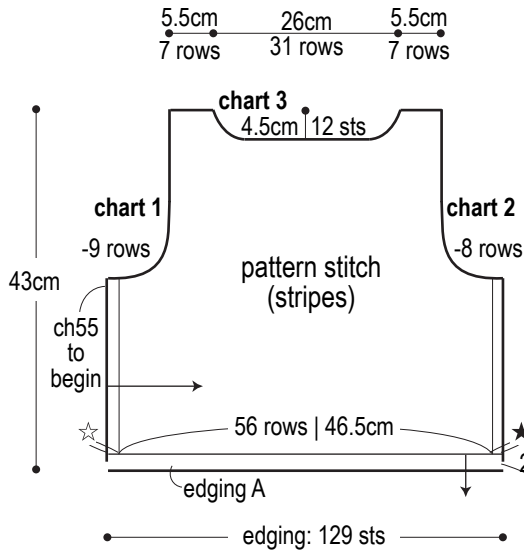
Front & back body: Chain to begin, working first row into bottom loops of chain. Work sideways - starting from side seam edge - in pattern stitch (stripes). Refer to schematics for color sequences.

Finishing: Seam sides and shoulders with chain seam (alternating chain and slip stitches as needed). Work edging A around hem in the round. Work edging B in the round at neckline and armholes.

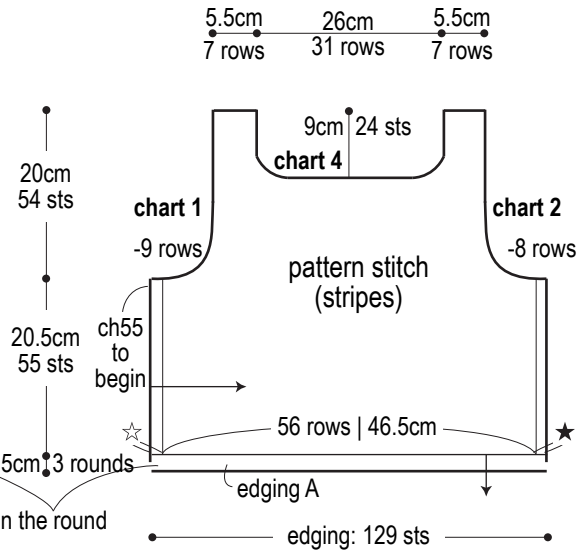
Abbreviations:

ch = chain
dc = double crochet (US)
sc = single crochet (US)
tr = treble crochet (US)

Back (3.0mm hook)



Front (3.0mm hook)

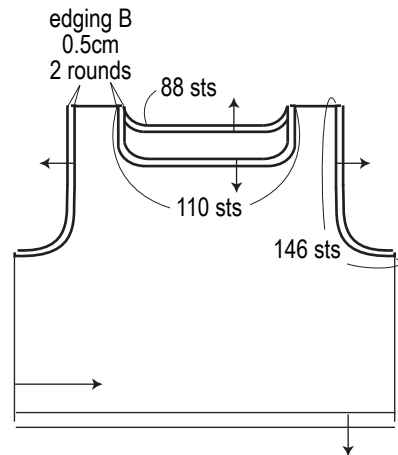


※The differing number of rows at right and left armholes is due to the pattern stitch.

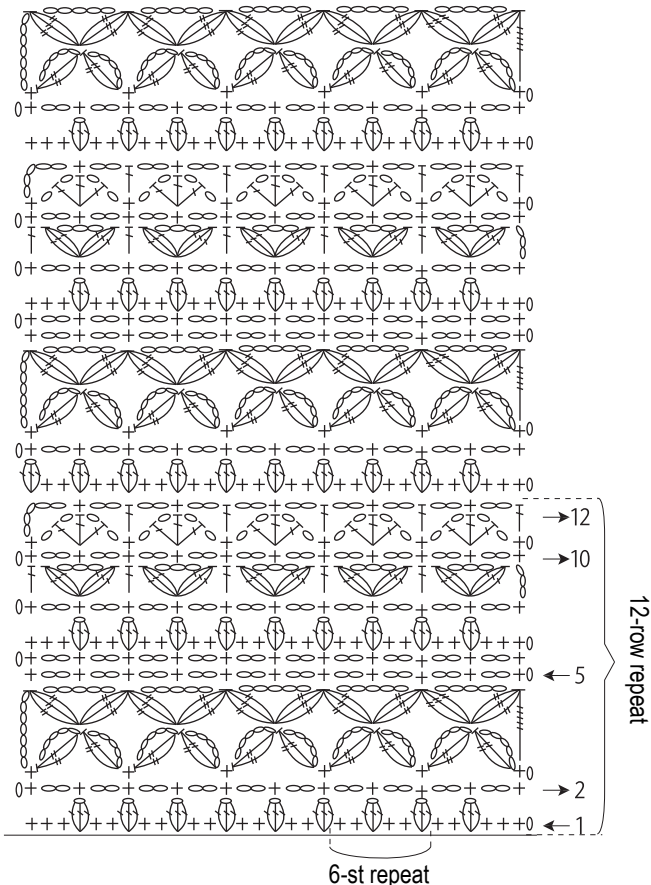
☆ = 1cm (4 rows)
★ = 0.5cm (2 rows)

- = 3-dc popcorn stitch
- = 3-tr bobble stitch
- = 3-dc bobble stitch
- = crab stitch

Neckline & arm edging (3.0mm hook)

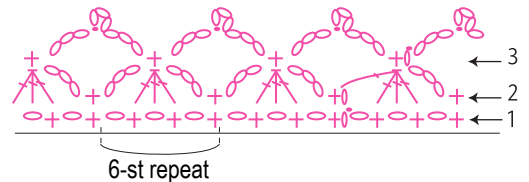


Pattern stitch (3.0mm hook)



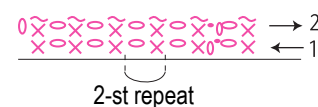
Edging A (3.0mm hook)

#325 royal purple

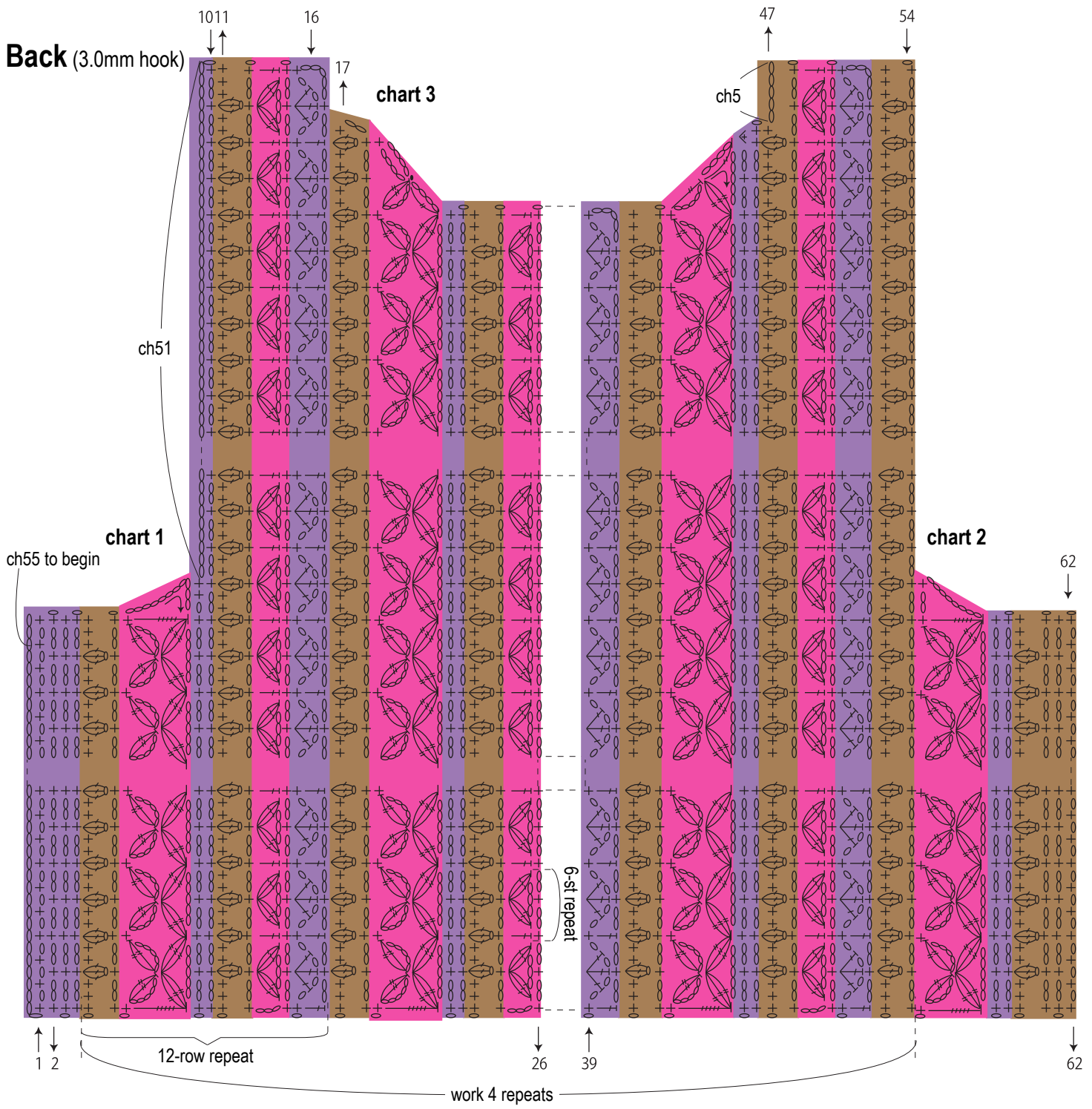


Edging B (3.0mm hook)

#325 royal purple



Back (3.0mm hook)



ch55 to begin

chart 1

chart 3

ch5

chart 2

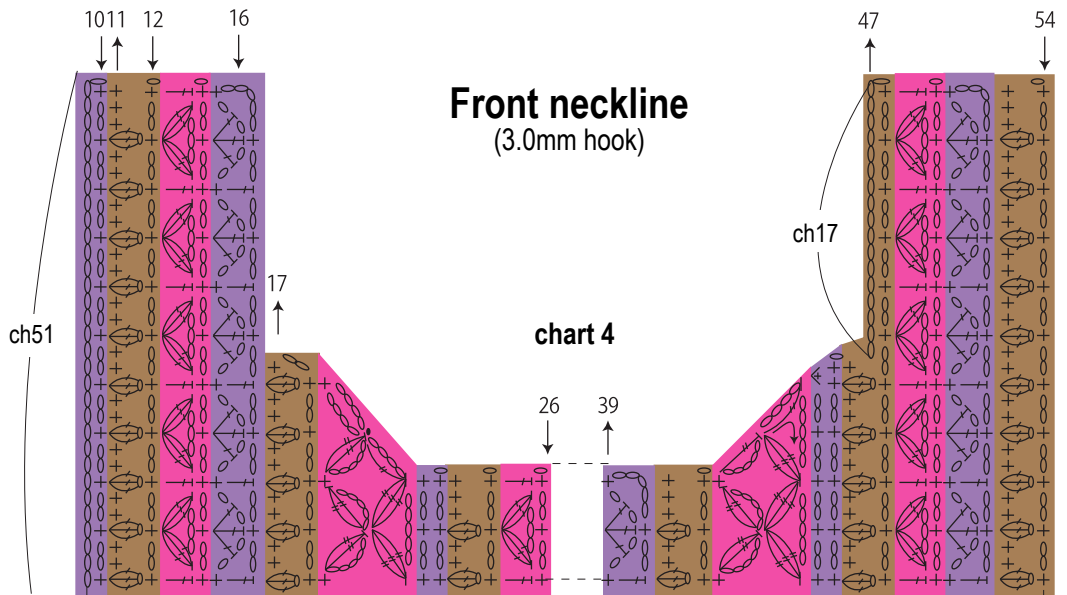
6-st repeat

12-row repeat

work 4 repeats

- = #059 pansy
- = #325 royal purple
- = #822 cocoa

Front neckline (3.0mm hook)



ch51

chart 4

ch17